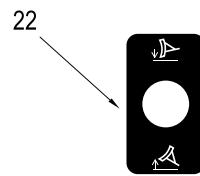
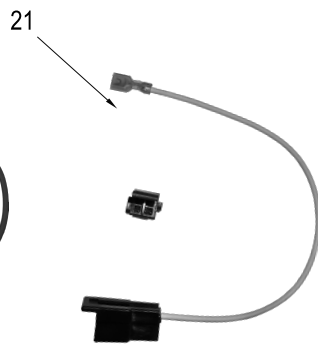
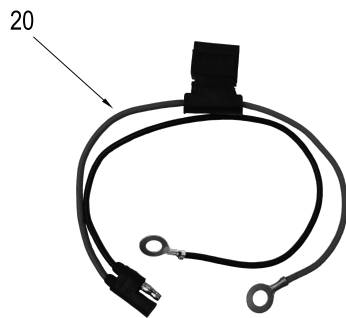
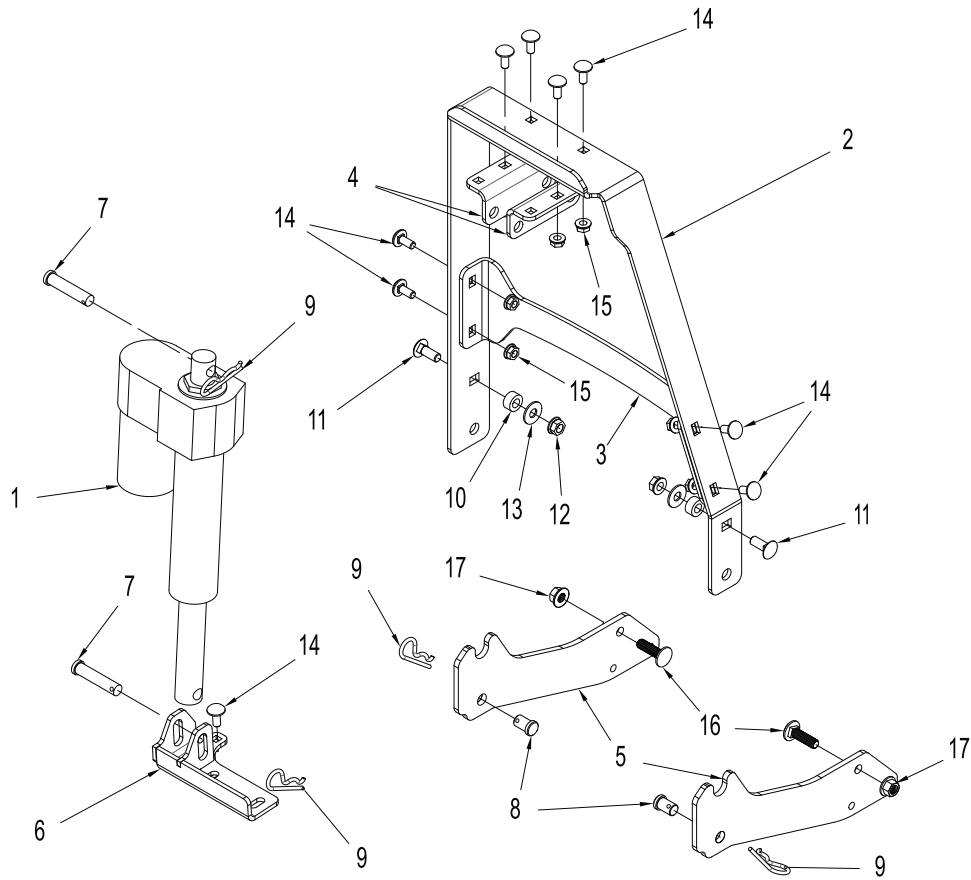


# LP68150 - 100 Series Power Lift Kit



LP68150  
 REVISION HISTORY  
 Rev. A 1/12/2018

ITEM NO.	PART NUMBER	DESCRIPTION	QTY.
1	ST50225	4" Actuator	1
2	ST50713	A Frame	1
3	ST50714	Cross Brace	1
4	ST50715	Bracket	2
5	ST50716	Plate	2
6	ST50719	Lift Bracket	1
7	ST50234	1/2" x 2-1/4" Clevis Pin	2
8	ST65195	Clevis Pin .5in dia. x .75in L	2
9	ST43469	Spring Cotter Pin	4
10	ST50720	Spacer .75" x 13/32" x 3/8" Zinc	2
11	ST65013	3/8" x 1 Carriage Bolt	2
12	ST65012	3/8" Flange Nut	2
13	ST65095	3/8" Washer	2
14	ST65006	5/16" x 3/4" Carriage Bolt	9
15	ST65008	5/16" Flange Nut	9
16	ST65193	M10 x 35 Sq. Neck Carriage Bolt 8.8 Zinc	2
17	ST65192	M10 x 1.5 Hex Flange Nut Class 10 Zinc	2
18	ST50574	Relay Harness	1
19	ST50229	Toggle Switch SPDT	1
20	ST50129	Battery Harness	1
21	ST50572	100 Series Power Wire	1
22	ST50726	Up/Down Sticker	1
23	ST48295	Warning Label	1
Not Shown	ST43314	Plastic Wire Clip	2